

3

7



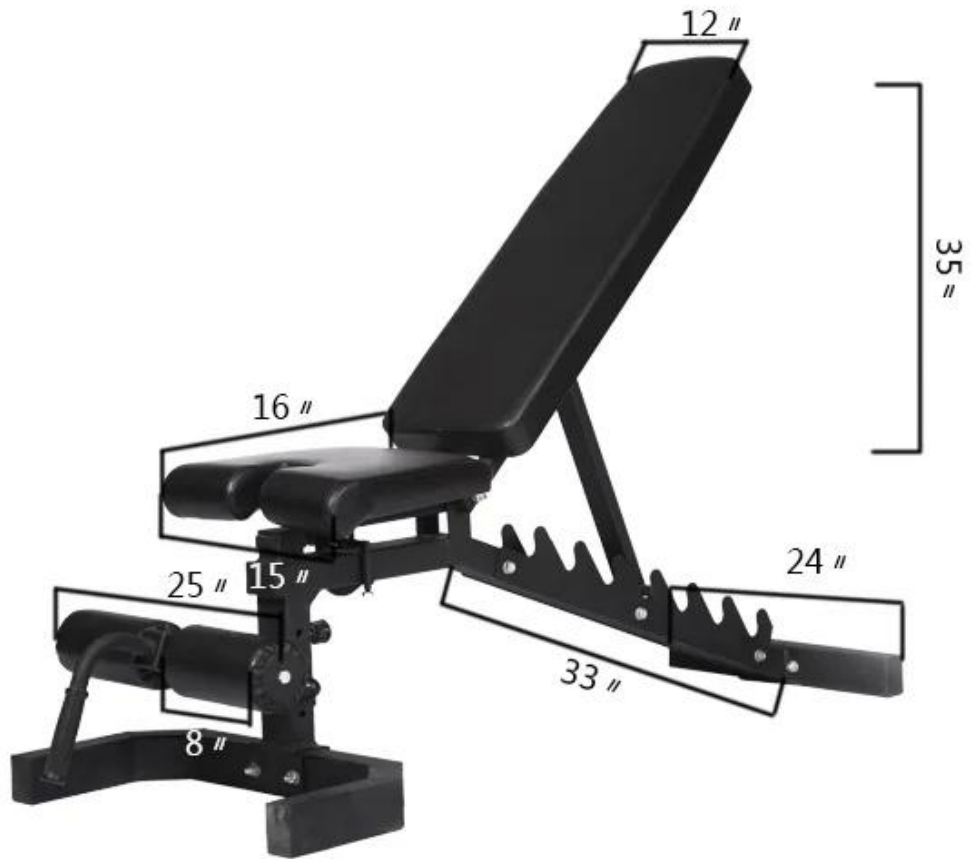




T / T O L / C O W E S T E R N U N I O N M O N E Y G R A M



Main tube:  
50\*70\*2.5mm



# Adjustable dumbbells stool

·Manufactured with a supportive low-profile, the high-grade commercial reinforced steel frame features solid welding throughout for a sturdy benchensuring both you and your weights are well supported with rubber feet to absorb shock, prevent scratching and skidding. Enjoy the double padded foam cushioning for firm yet soft support during your workouts, upholstered in water resistant thick textured vinyl fabric.

·Weight bench comes with a 7 ladder adjustments using built-in heavy duty safeguard steel slots allowing users to adjust and secure the bench back pad completely flat, upright, or in multi-level incline and decline positions. 2seat adjustments allow for raising or lowering the bench seat. Utilize the versatile adjustment features to effortlessly achieve over 30 different exercises for a full body workout.





## □□□□□□

1 □ oem .□□□□□ □□□□ □□ □□□□□□ □□

.□□□□□□□ □□□□□□ □□□□□ □□ □□□□□□ □ 2

.□□□□□□ □□□□ □□□ □□□□□ □□□□□ □ 3

.□□□□□□ □□□□□ □□□□ □□□ □ 4

□□□□□□ □□□□□□ □□ □□□□□□ □□□□□ □□□□ □ 5.

## □□□□□□

### SHANDONG XINGYA SPORT FITNESS INC

□□□□□□□ □□□□□□□ □□□□□ □□□□□ □□

□□□□□□□ □ □□□□□□ □□□□ □□□□□□ □□□□□ □

**kettlebell** □ .□□□□□ □□□□□□ □□□□□□□ □□□□□□□ □ □□□□□□□

□ □□□□□□ □□□ □□□□□ □□□□□ □□□□□□□□ □□□□□□□ □□□□□ □□□

□□□□ □□□□□□ □□□□□ □□□□□ □□□ □□□□□□ □□□□□□ □□□□□ □□□

□□□□□□ □□□ □□ □□ □ □□□□□□ □□□□□ □□□□ □□ □□□□□□□ □□□□□□

□□□□□□ □□□□ □□□ .□□□□□ □□□□□□ □□□□□□ □□□□□ □□□

□□□□□□ □□□□ □□□ □□□ □□□□□□ □□□□□□ □□□□□□ □□□□□□

□□□□ □□□□□□ □□□□□ □□□□ □□□□.□□□□

□□□□□□□□ □□ □□□ □□□□□□



Office block



Office room



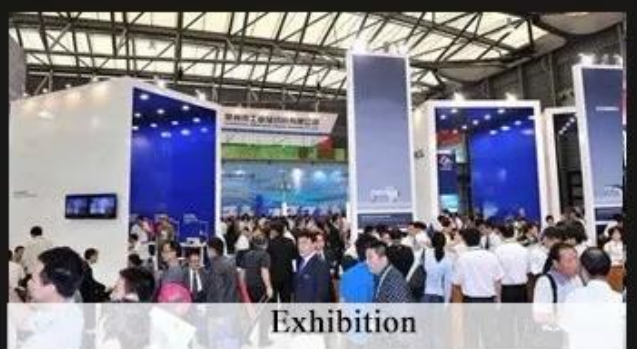
Workshop



fitness club



Warehouse



Exhibition



☎️ ☎️☎️

WhatsApp: +86 18865279976

Wechat: +86 18865279976

✉️: billyzhu@xysfitness.cn