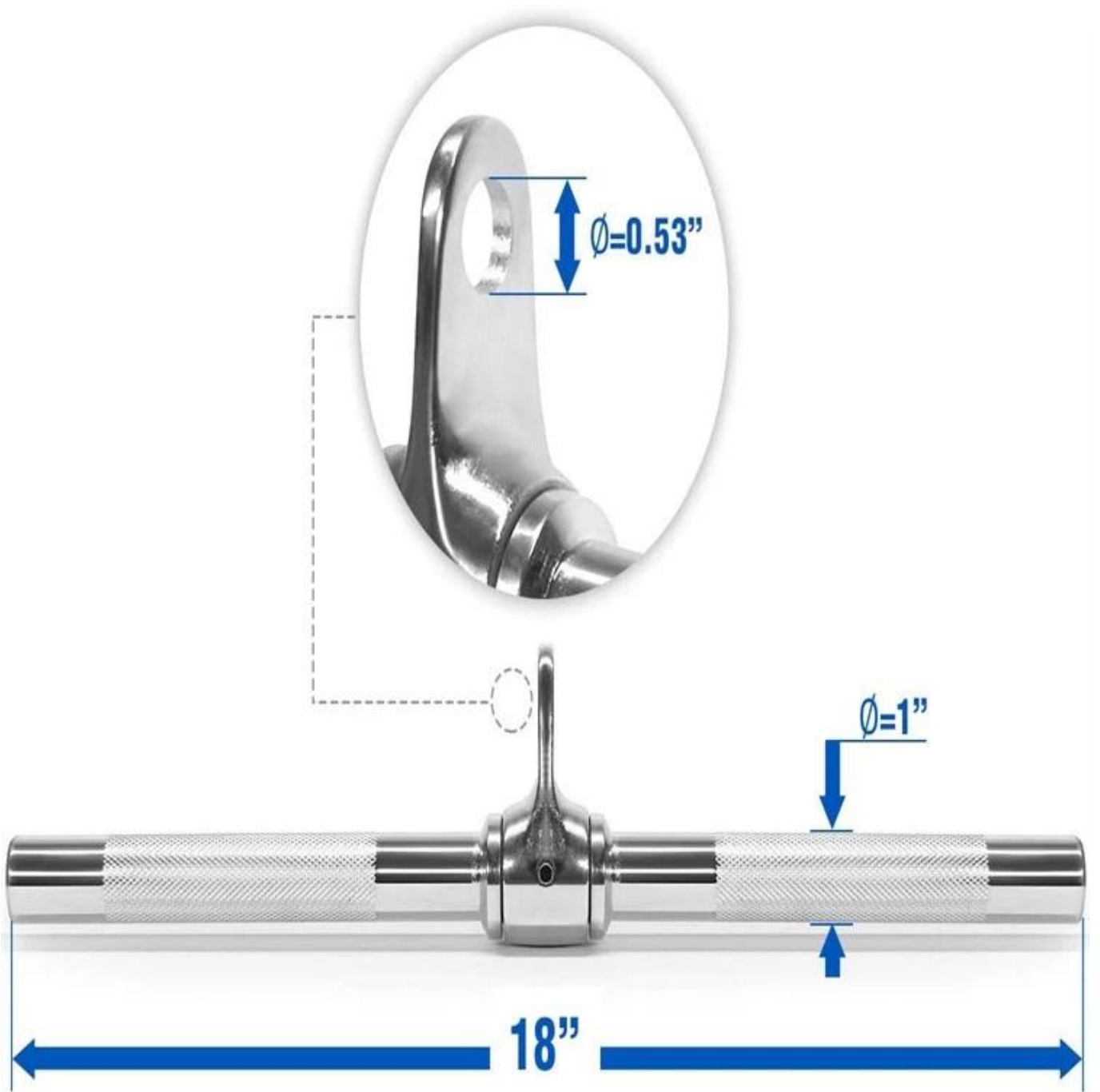


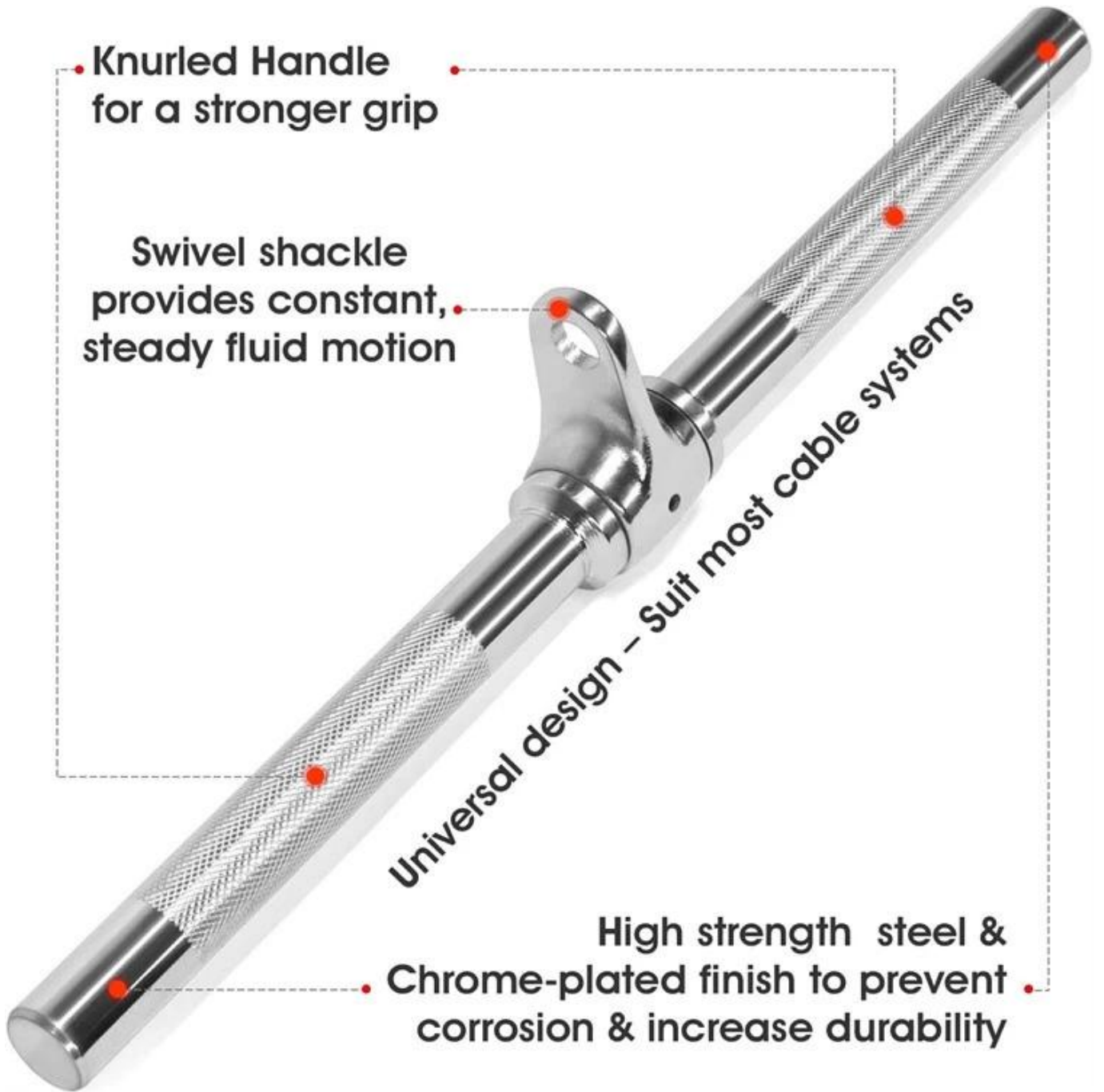
XXXXXXXXXX XXXXXXXXXXXX:

- 18 XXXXXXX XXX XXXXX XXXXXXXXXX X XXXXXXXXXX XXXXXXXXXX XXXXXXXXXX XXXXXXXXXX XXXXXXXXXX :XXXXX XXXXX 1 x XXXX XXXXX
- XXXX 400) XXXXXXX 880 XXXX XXXX .XXXXXXXXXXXX XXXXXXXXXX XXXXXXX :XXXXXXXX XXXXXXX)
- X XXXXXXXXXX XXXXXXXXXX XXXXXXX XXXXXXXXXX XXXXXXX XXXXXXX XXXXXXXXXX XXXXXXXXXX XXXXXXXXXX :XXXXXXXXXXXX XXXXXXXXXX XXXXXXX XXXXXXX XXXXXXXXXX XXXXXXX XXXX XXXX XXXX XXXXXXXXXX XXXXXXXXXX XXXXXXXXXX XXXXXXXXXX XXXXXXXXXX XXXXXXXXXX XXXXXXXXXX

|  |                              |
|--|------------------------------|
| XXXX                                   | XXXXXXXXXX XXX               |
| XXXXXXXXXXXX XXXXXXX                   | XXXXXXXXXX X XXXXXXXXXX      |
| XXXXXXXXXXXXXXX XXXXXXXXXX XXXX        | XYSFITNESS                   |
| XXXX                                   | XXXXXXXXXX XXXXXXXXXX        |
| XXXX                                   | XXXXXXXXXXXX                 |
| XXXXXXXXXXXX XXXXXXX XXXXXXX L x W x H | 18.19 x 4.13 x 2.44 XXXXX    |
| XXXXXXXXXXXX XXXXXXX LxWxH             | 11.61 x 0.98 x 7.01 XXXXX    |
| XXXX                                   | XXXX                         |
| XXXX                                   | XXXXXXXX XXXXX Availale      |
| XXXXXXXXXXXX                           | XXXXXXXXXXXX XXXX XXXXXXXXXX |
| OEM                                    | XXXX OEM                     |
| XXXX                                   | XXXXXXXX XXXXX               |
| XXXXXXXXXXXX XXXX XXXXXXXXXX XXXX      | 4.6 XXXXX                    |
| XXXXXXXX XXXX                          | XXXX                         |

XXXXXXXXXX XXXX:





• **Knurled Handle**  
for a stronger grip

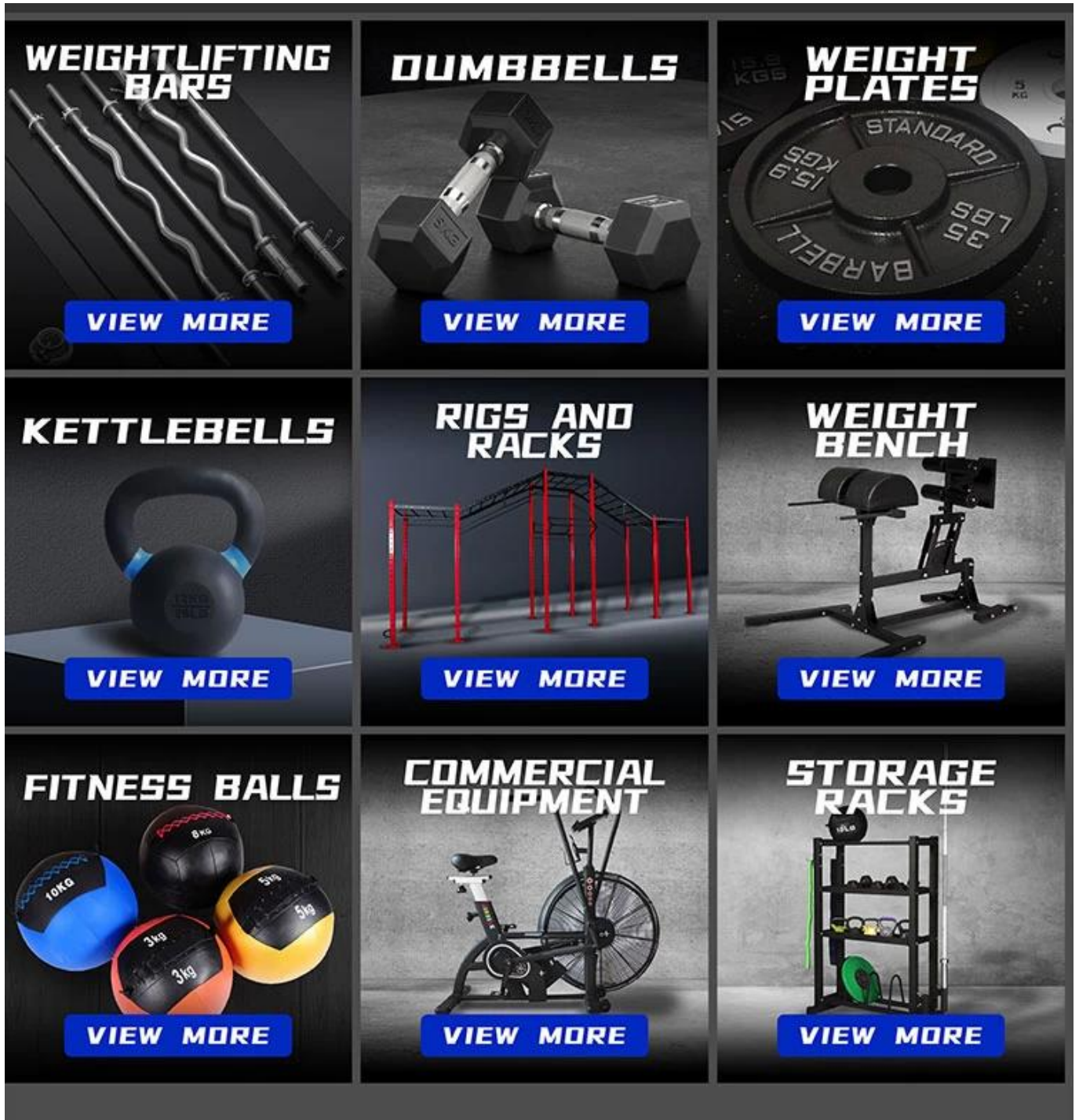
Swivel shackle  
provides constant,  
steady fluid motion

**Universal design – Suit most cable systems**

High strength steel &  
• **Chrome-plated finish to prevent** •  
corrosion & increase durability



□□□ □□□ □□□□□



**Xingya**

Shandong Xingya Sports Fitness Inc. ( ) is a professional manufacturer of fitness equipment, including [Lat Bar Cable Machine Attachment Manufacturers](#). We have a production capacity of 20,000 units per month and a sales network covering 120 countries and regions. We are committed to providing high-quality products and services to our customers.

We are a professional manufacturer of fitness equipment, including [Lat Bar Cable Machine Attachment Manufacturers](#). We have a production capacity of 20,000 units per month and a sales network covering 120 countries and regions. We are committed to providing high-quality products and services to our customers.

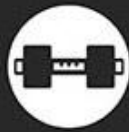




## YOUR RELIABLE SUPPLIER



PROFESSIONAL  
FITNESS



EQUIPMENT  
FACTORY



OEM/ODM



MORE THAN  
12 YEARS



INTERNATIONAL



TRADE  
EXPERIENCE







