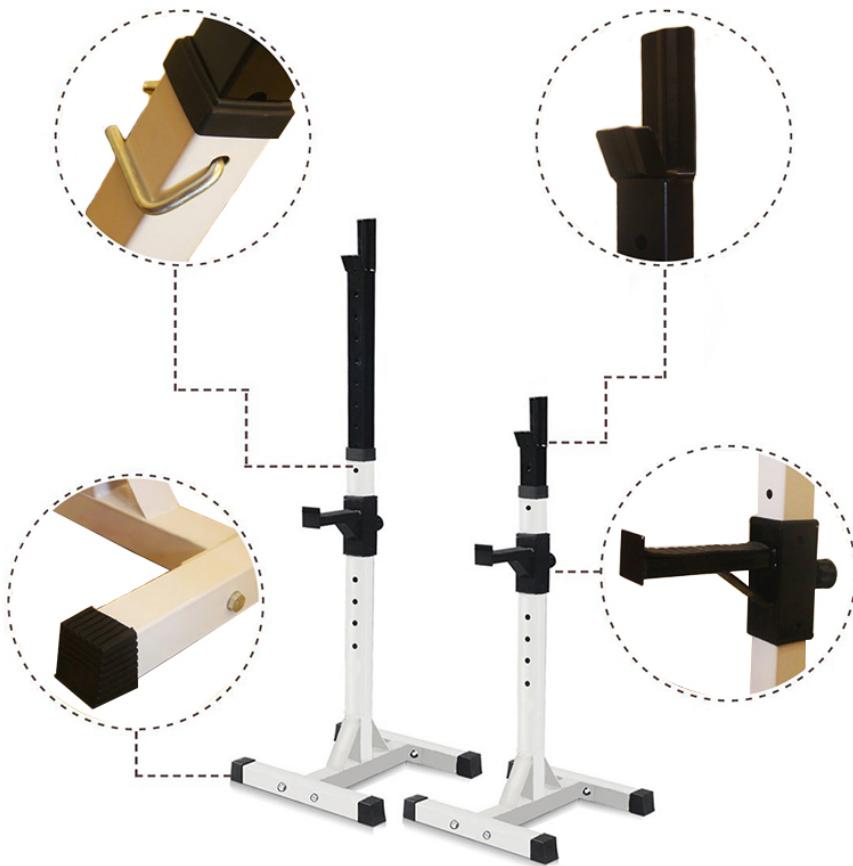
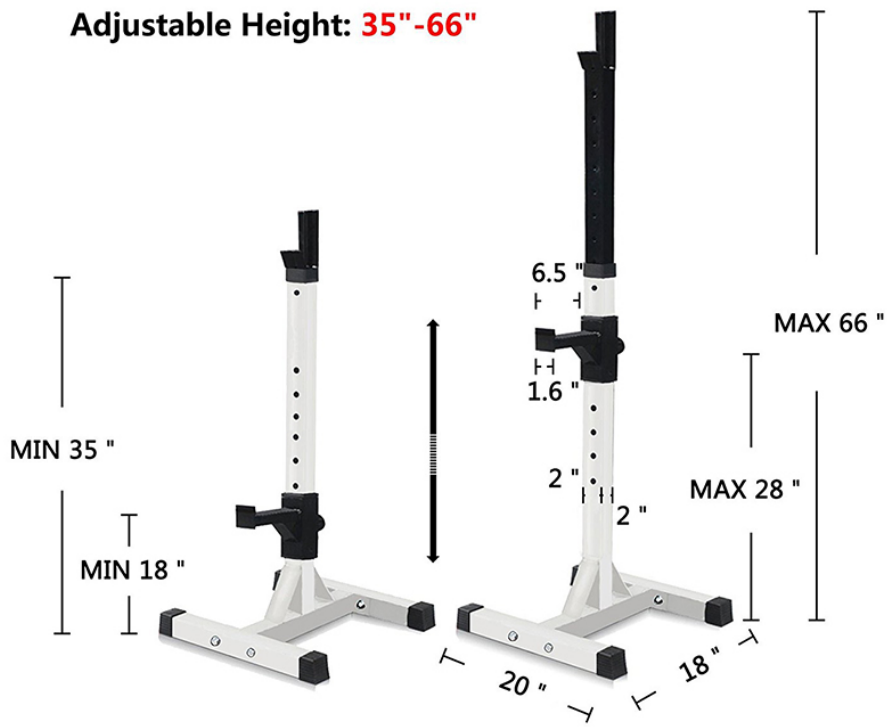


Product Description

Adjustable Split Squat Power Rack

Max Load: 400LBS
Adjustable Height: 35"-66"



More Products

Please [contact us](#) for more information.



Dumbbells
Kettlebells
Weightlifting Bars & Plates
Storage racks

Free standing rigs
Power racks
Push up racks
Squat stands

[View More](#)
Weight bench
Rig & rack accessories
GHD

Company Information



Shandong Liaocheng Zhongxing Fitness Equipment Co., Ltd. is a professional manufacturer and global exporter specializing in steel pipe and many kinds of rig & racks manufacture and exportation. Our company has been engaged in export business for more than 12 years. We can provide all kinds of steel pipe and the racks used in commercial gym, such as rig&racks, power racks, squat racks, GHD machine, weightlifting gym bench, fitness dog sled, and storage racks.

We promise "complete specifications, prompt delivery, high quality, competitive price". If you are interested in our products, please feel free to contact us. We warmly welcome friends and cooperators from all over the world.



FACTORY SHOW

Testing equipment



Exhibition





SHANDONG XINGYA SPORTS FITNESS INC.



CHERRY WANG



0086-635-8245817
0086-18806354298



0086-18806354298



cherry@xysfitness.cn



www.chinafitness equipmentsupplier.com