

Show products



## High position yellow push-ups frame

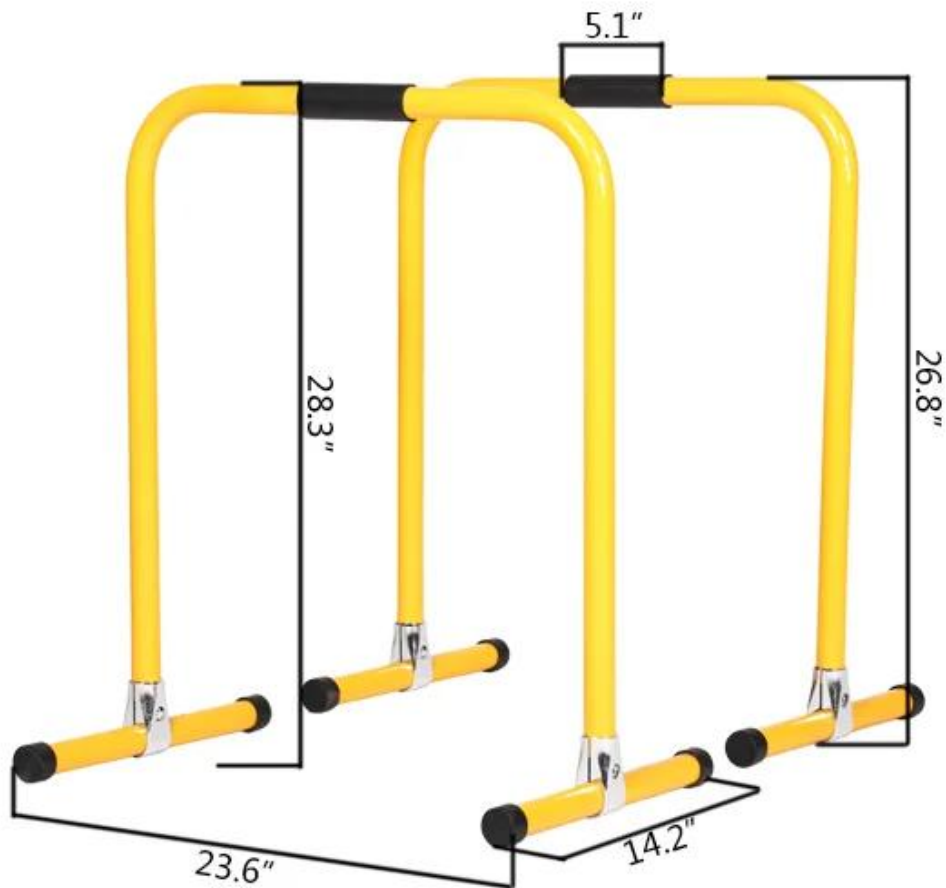
- The High position yellow push-ups frame is made of stainless steel tubes of  $\varphi 38 \times 2.5\text{mm}$ , which are corrosion-resistant and wear-resistant with high-quality steel spray paint. Thickening the wall is safer. High quality foam armrest, anti-slip and anti-slip during exercise.
- The bottom is equipped with anti-skid foot pad, which can effectively prevent skid, dryness, scratch and use more smoothly. The joint is fixed with anti-skid screws, so you don't have to worry about shaking in the movement to ensure the product is not loose.



Weight: 4.88kg

Main tube:

$\phi 38*2.5\text{mm}$



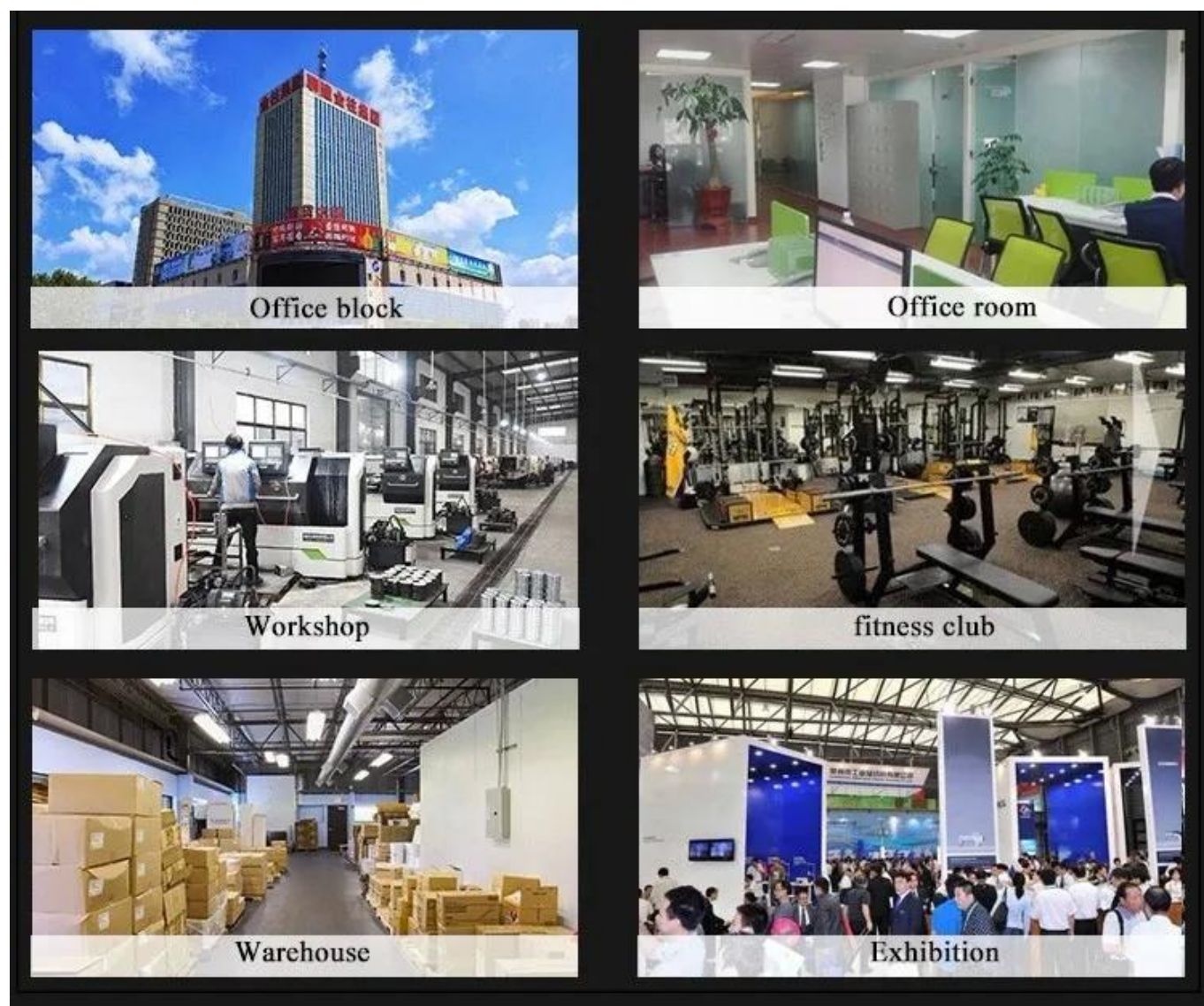
## Our company

SHANDONG XINGYA SPORT FITNESS INC is a professional exercise equipment company for the development, production and sale of dumbbells, barbells, kettlebells, mats, racks and other rubber and dipping products.

On the advanced production equipments and strict quality control system, we provide customers with nice quality products.

We have now established a solid business relationship with hundreds of customers all over the world, including North America, Europe, the Middle East and Asia.

"Creating value for all customers with innovation and quality" is our unchanging promise. We sincerely hope to cooperate with you to develop together in the future.



## Packing & Delivery

Sales unit: single item

Single package size: 23.6 " \* 14.2 " \* 28.3 "

Gross weight: 4.88 kg

Type of packaging: 5 layers plus carton / set

## Contact



Billy Zhu

WhatsApp: +86 18865279976

Wechat: +86 18865279976

Email: [billyzhu dot xysfitness.cn](mailto:billyzhu dot xysfitness.cn)