

Product Description

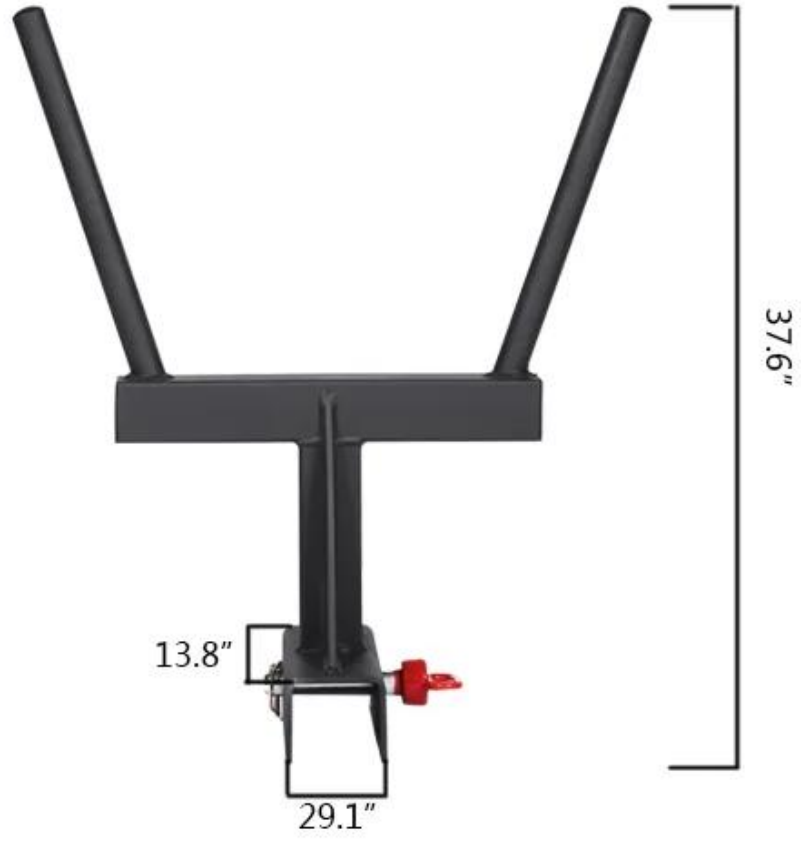
C
F
r
i
g
d
i
p
s
t
a
n
d
a
r
d
s
C
e
c
c
e
s
s
o
r
y
d
i
b
a
r
r
S
M
e

M
D
Q
C
u
s
t
o
m
b
g
e
d
L
o
g
o
r
i
g
S
m
m
p
h
e
T
i
m
a
r
e
r
r
i
g
s
m
a
n
Y
e
r
s
a
c
t
u
r
e
r

R
e
g
i
s
t
r
e
s
t
e
r
i
a
l
A
c
c
o
u
n
t
i
n
g
S
y
s
t
e
m
s
I
n
c
o
r
p
o
r
a
t
e
d
I
n
I
n
d
i
a
P
r
i
v
a
t
e
L
i
m
i
t
e
d
C
o
m
p
a
n
y
I
n
I
n
d
i
a

B
l
a
c
k
o
f
f
h
o
m
i
z
e
d
L
/
C
T
P
P
a
m
e
n
t
h
e
r
s

Products Show





Our Service

1. Shipment and sample quality tracking includes lifetime .
2. Any small problem happening to our product will be solved at the prompt time .
3. All your inquiry replied within 24 hours .
4. Strictly produce control system and closely cooperate with strong gym equipment factories
5. OEM / ODM orders are welcome .
6. High quality service with whole modern team , adding many years export experience .

Our Company

SHANDONG XINGYA SPORT FITNESS INC is a professional exercise equipment enterprise for development , production and sales of dumbbell , barbells , kettlebell , mats , racks and other rubber coated and dipping products .

Upon the advanced production equipments and strict quality control system , with nice quality products and high quality , now we have established a solid business relationship with hundreds of customers all over the worlds , including North America , Europe , the Middle East and Asia . " Creating value for all customers with innovation and quality " is our changeless promise .

We sincerely hope to build a nice and long cooperation with you in the future .



Office block



Office room



Workshop



fitness club



Warehouse



Exhibition

FAQ

Q1 : Can I negotiate the prices ?

A1 : Yes , we may launch some promotion that more discount would be granted sometimes . We may grant discount for FCL of mixed products or bulk orders of individual products .

Q2 : What is the minimum order quantity ?

A2 : We can accept small orders , prices will be higher , though .

Q3 : How long do you take for production and delivery ?

A3 : Please confirm the order quantity , delivery time when you are ready to place an order . Normally we need 3-4 working days to produce after receive your deposit and all order details are confirmed for regular designs and models . Transportation by sea or air , Customs Clearance and inland transportation will need , another 20-30 days . So please place orders in advance to make sure you have products to sell on busy season .

Q4 : If we don't have any shipping forwarder in China , could you do this for us ?

A4 : We have shipping department , you will get the best shipping price , and have excellent service

Q5 : I never come to China before , can you become my guide in China ?

A5 : We will book the hotel for you in advance , and arrange our driver to pick you up from ariport to our company , if you want to visit the market or factory , we can arrange our colleague to be your assistant .

Contact Us



Billy Zhu

WhatsApp: +86 18865279976

Wechat: +86 18865279976

Email: billyzhu@xysfitness.cn