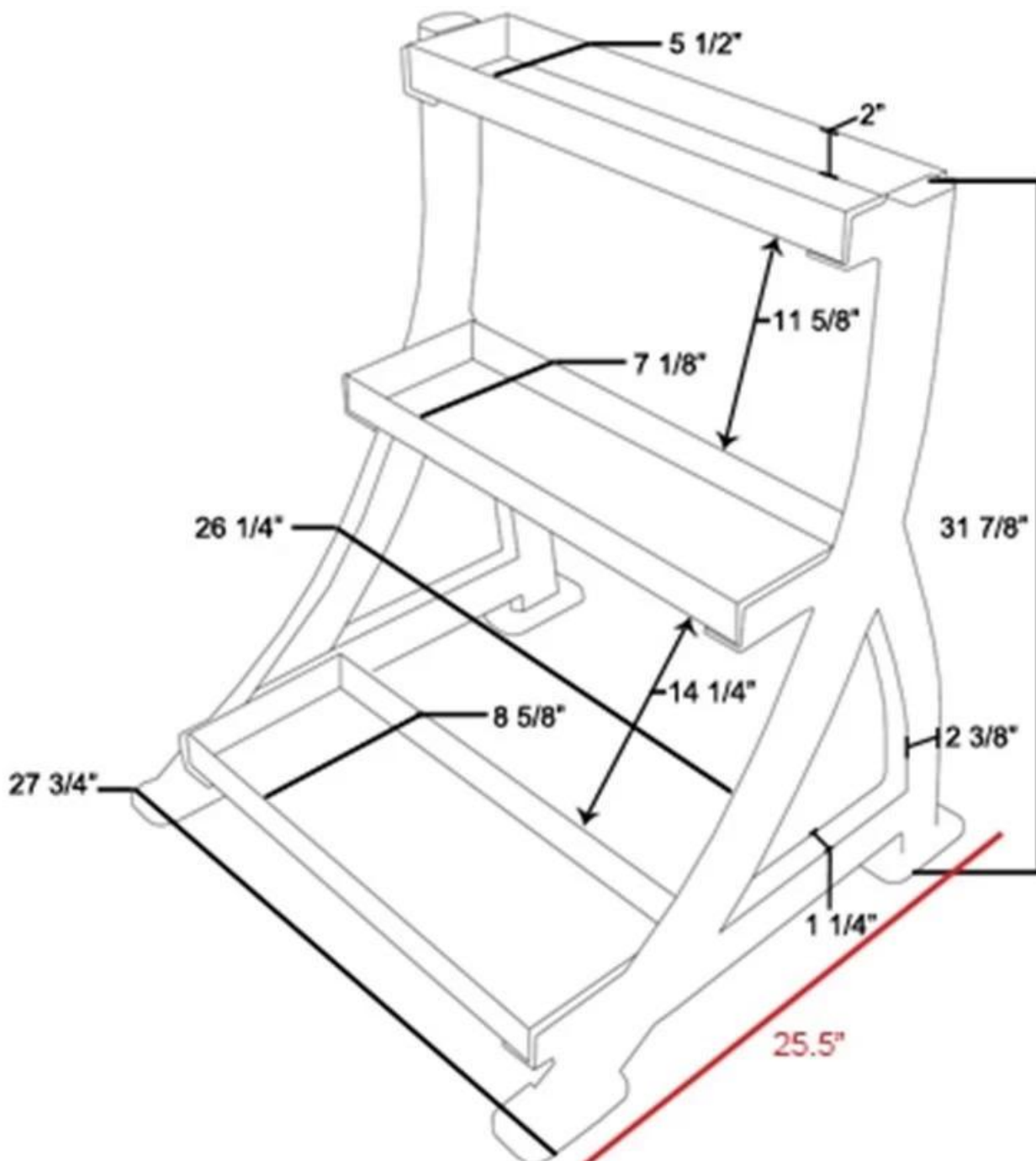


Product description



A great starting storage rack for any gym, this [XYSFitness Kettlebell Rack](#) includes Three layer iron plate—built to hold up to kettlebells or more than 300 LBS in bumper plates. The 2-Tier unit is also fully customizable with a ton of optional add-ons, so you can swap out a bumper shelf with a specialized dumbbell or kettlebell tray, add wheels for convenient portability, include change plate pins for extra storage, and much more.

Choose from standard bumper / medicine ball shelves, or swap out one or more with a specialized kettlebell or dumbbell tray. YYSFitness storage rack is also compatible with [a](#)

[wide range of accessories](#), from wheels for convenient portability to attachable plate storage pins, rail mount hangers for your belts and straps, and bookshelf dividers to keep your plates upright and organized.

As your gym grows and the space requires it, the XYSFitness storage rack also offers full expandability with an array of easy-to-set up add-ons.

Packaging and delivery

Packaging Details:

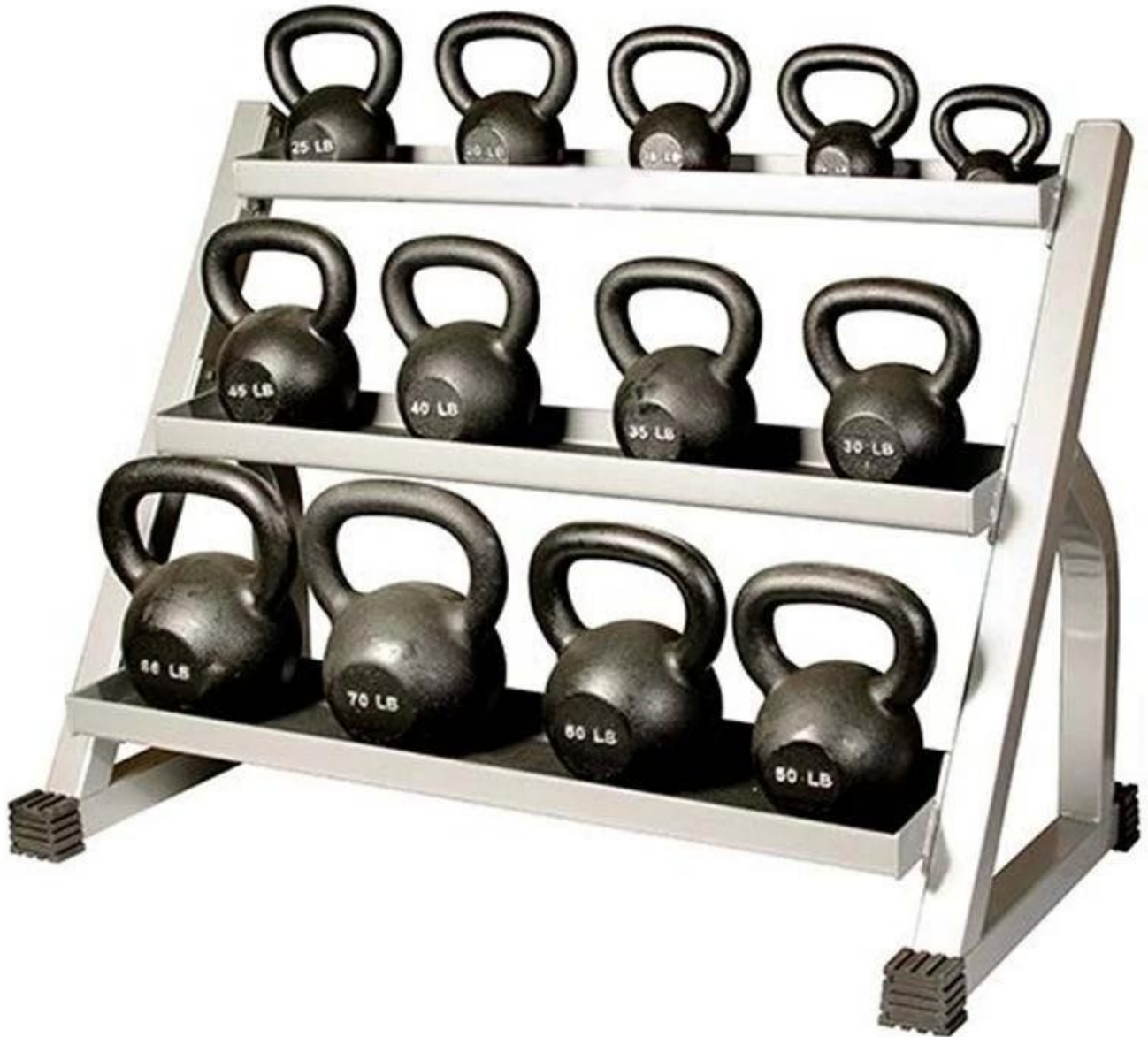
1. first, some components for the plastic bag.
2. then in cardboard boxes when you use foam board to fix the space between the component and the box.
3. At the end of a few boxes in the wooden box.

Delivery details:

Within 27 days after payment







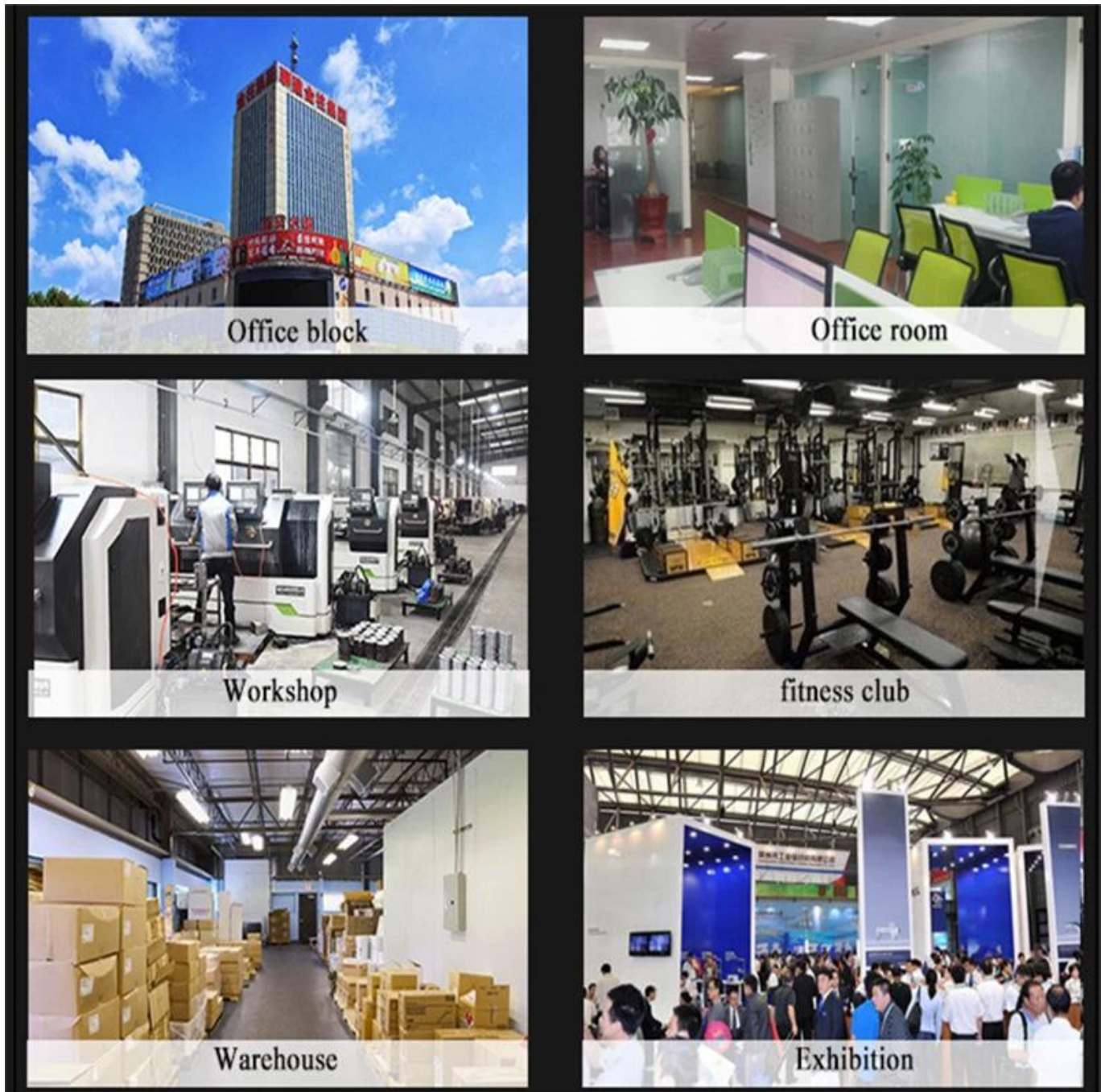
Information about the company

SHANDONG XINGYA SPORT FITNESS INC is a professional exercise equipment enterprise for development , production and sales of dumbbell , barbells , [kettlebell](#) , mats , racks , [CF](#) and other rubber coated and dipping products .

On the advanced production equipment and strict quality control System with nice quality products and high quality, we now have determine the relationship solid hundreds of clients of all at the worlds, including North America, Europe, the Middle East and Asia. "Creating

value for all customers with innovation and "quality is our promise.

We sincerely hope to build a nice and long cooperation with you in the future.



Our warehouse



Display picture



Image with customers



Our services

- shipping and sample tracking quality includes lifetime.
- every little problem going on our product will be solved in the shortest amount of time.
- all Your question answered within 24 hours.

- strict production control system and work closely with a strong gym equipment factories
- OEM/ODM orders are welcome.
- high-quality services from all over the modern team, adding many years export experience.



FAQ

Q1: you can negotiate the price?

A1 : Yes, we can run certain promotions, that will be more discounts granted sometimes. Can we give discount Tor FCL mixed products or Wholesale products.

Q2: what is the minimum order?

A2: we accept small orders, prices will be higher, though.

Q3: how long does it take for the production and delivery?

A3: Please comfirm order quantity, lead time, when you are ready to place your order.

Normally We need a 3-4 working days for production after receiving the deposit and all The order details are confirmed by regular patterns and models.

Transport by sea or air, customs clearance and land transport will be needed, the next 20-30 days. So please feel free to place orders in advance to make sure that the have the products for sale in the busy season.

Q4: If we have all the shipping freight forwarder in China, you do it for us?

A4: we have the Department of maritime transport, it will get the best shipping prices and excellent service.

Q5: will never come to China before, you can become my guide in China?

A5 : We need to make a reservation for you and arrange our driver to pick up from the ariport to our company, if you want to visit market or the factory, we can arrange our friend be your assistant .

Contact us

ALLOWS YOU TO WORK TOGETHER

.....
.....

Alice Liu

Phone: + 86 18769566307: + 86 18769566307

Facebook: Alice Emma Skype: + 86 18769566307