

# **China GHD bench manufacturer** **fitness glute hamstring developer** **factory**

## **Product Features**

- 1. Capacity: 420 lbs**
- 2. Very rugged construction and the frame is all steel**
- 3. Designed with a wide base and extra large pads with your safety and comfort in mind.**

## **Product Instruction**

- 1. The XYSFITNESS Glute Hamstring Developer is best to develop strong Glutes, Low Back, Ham String and Abs.**
- 2. The XYSFITNESS GHD can quick adjustments accommodates all users and the traction enhanced Foot Plate allows for secure positioning during use.**
- 3. The XYSFITNESS GHD has been a fantastic addition to our home or gym .**

# **Packaging & Delivery**

## **Packaging Details :**

- 1. First some components into a plastic bag .**
- 2. Then into a carton while use foam board to fix the space between the component and the carton .**
- 3. At last several cartons into a wood box .**

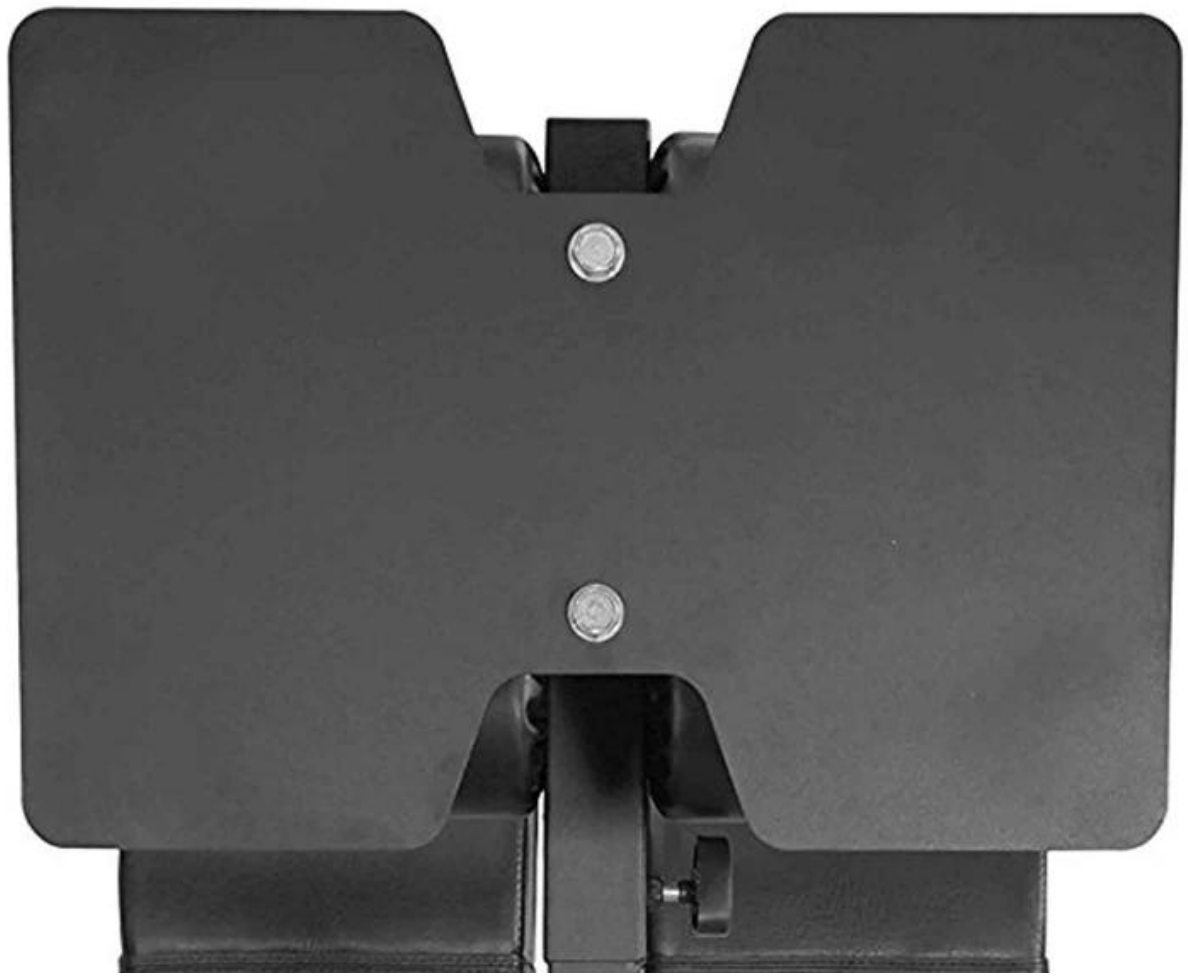
## **Delivery Detail :**

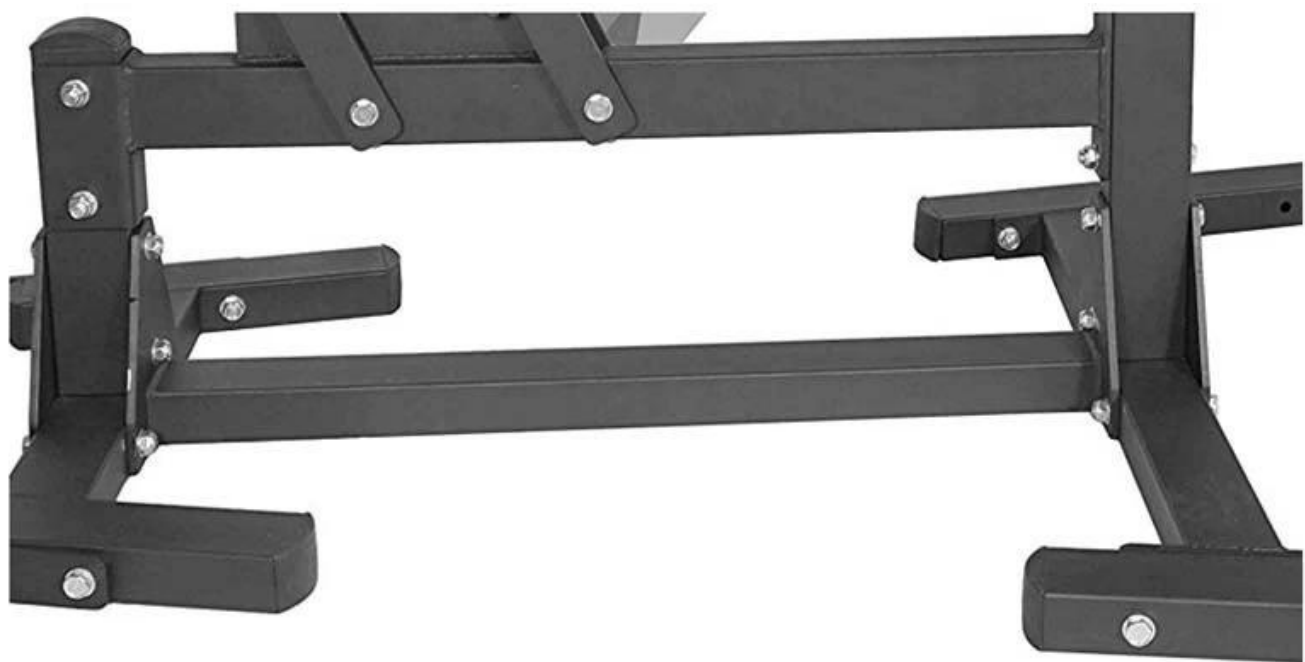
**Within 27 days after payment**

# **Product Pictures**









# **Company Information**

**SHANDONG XINGYA SPORT FITNESS INC is a professional exercise equipment enterprise for development , production and sales of dumbbell , barbells , kettlebell , mats , racks , CF and other rubber coated and dipping products .**

**Upon the advanced production equipments and strict quality control system , with nice quality products and high quality , now we have established a solid business relationship with hundreds of customers all over the worlds , including North America , Europe , the Middle East and Asia . " Creating value for all customers with innovation and quality " is our changeless promise .**

**We sincerely hope to build a nice and long cooperation with you in the future .**



## **Our Warehouse**





**Exhibition picture**



## Our Service

- 1. Shipment and sample quality tracking includes lifetime .**
- 2. Any small problem happening to our product will be solved at the prompt time .**
- 3. All your inquiry replied within 24 hours .**
- 4. Strictly produce control system and closely cooperate with strong gym equipment factories**
- 5. OEM / ODM orders are welcome .**
- 6. High quality service with whole modern team , adding many years export experience .**



## FAQ

**Q1 : Can I negotiate the prices ?**

**A1 : Yes , we may launch some promotion that more discount would be granted sometimes . We may grant discount tor FCL of mixed products or bulk orders of individual products .**

**Q2 : What is the minimum order quantity ?**

**A2 : We can accept small orders , prices will be higher , though .**

**Q3 : How long do you take for production and delivery ?**

**A3 : Please confirm the order quantity , delivery time when you are ready to place an order .**

**Normally we need 3-4 working days to produce after receive your deposit and all order details are confirmed for regular designs and models .**

**Transportation by sea or air , Customs Clearance and inland transportation will need , another 20-30 days . So please place orders in advance to make sure you have products to sell on busy season .**

**Q4 : If we don't have any shipping forwarder in China , could you do this for us ?**

**A4 : We have shipping department , you will get the best shipping price , and have excellent service .**

**Q5 : I never come to China before , can you become my guide in China ?**

**A5 : We will book the hotel for you in advance , and arrange our driver to pick you up from airport to our company , if you want to visit the market or factory , we can arrange our colleague to be your assistant .**