

Double half rack specification

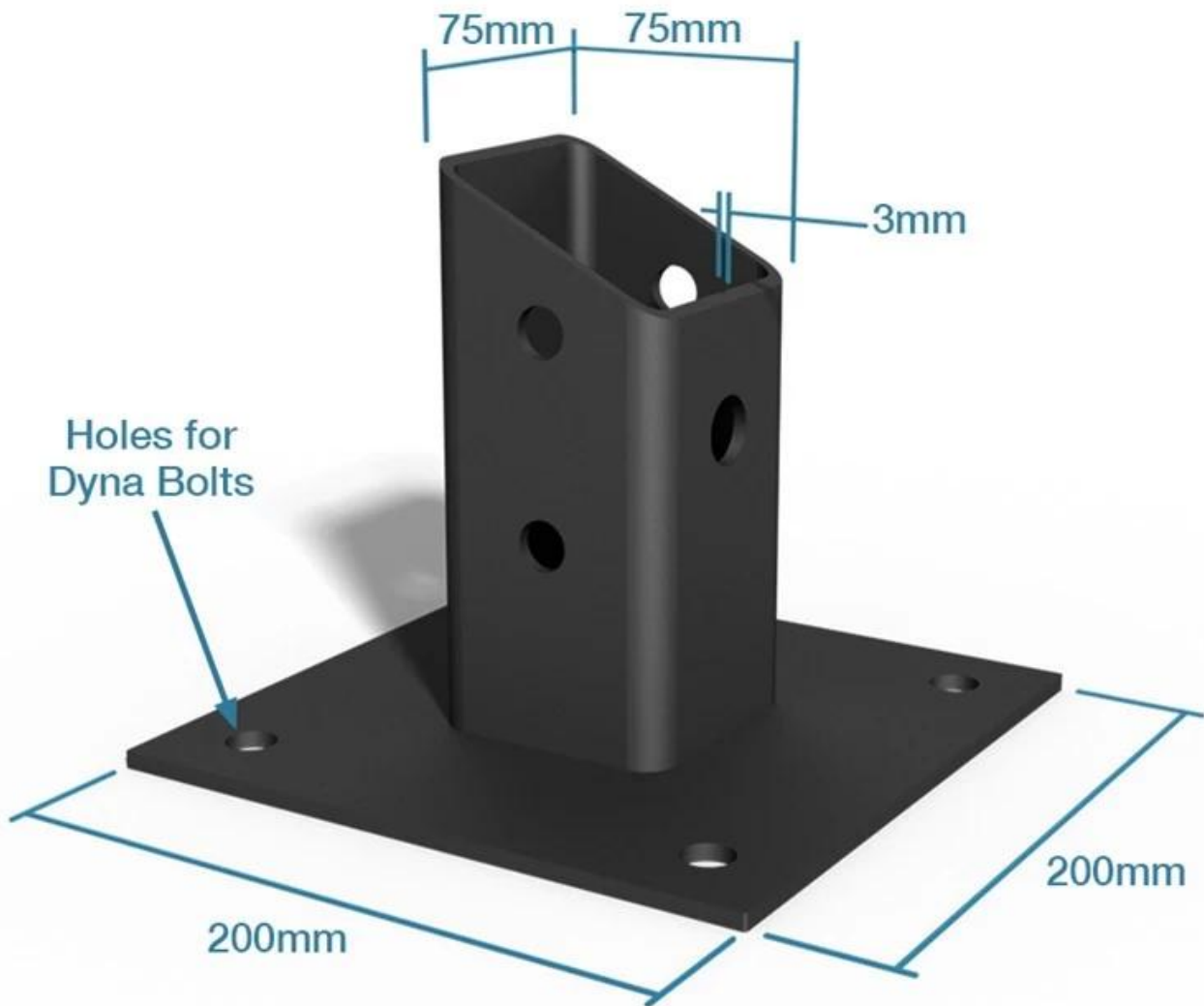
Product name	Hot sale multifunctional wall mounted China half squat rack supplier manufacturer
power cage size	1230W*610L*2300H
Steel tube size	75*75*3mm
Payment terms	LC,TT,WESTERN UNION,MONEY GRAM
Usage	Gym center, Garage gyms,home use

Product Features

- 1, Perfect for performance training, powerlifting and bodybuilding
- 2, Weight Plate Storage:10 welded and chromed pegs store [weight plates](#) of all sizes
- 3, Adjustment Hole Numbering: Laser-cut numbering on adjustment holes for J-hooks and safety arms is standard

Product Picture





Our Company

Shandong xingya sports fitness Inc is a professional exercise fitness equipment company, our company engaged in dumbbell,kettle bell,weight bumper plates, CF rigs and racks,rubber flooring and other accessories. With advanced equipment and strict quality control system, we have established a solid business relations with many customers all over the world, such as Europe, America, the Middle East, South Asia and other nations.we advocate" credit and quality the first with reasonable price".

Our service

- 1, OEM or ODM service are welcome.
- 2, Many years export experience.
- 3, Strict product quality control.
- 4, Small quantity order acceptable.
- 5, High quality service with modern team.

FAQ

1)Q:Can I negotiate the price?

A:Yes,we'll quote you the best price.

2)Q:What's the minimum quantity?

A:We can accept small orders.

3)Q:Do you supply related fitness products?

A:Yes, we have complete series of gym center equipments.



Shandong Xingya Sports Fitness Inc.

CINDY WU



☎ 0086-635-8245816

📱 0086-18865279796

✉ cindywu@xysfitness.cn

🌐 www.chinefitnesssequipmentsupplier.com