

Product Description

Product Features

- 1. Capacity: 420 lbs**
- 2. Very rugged construction and the frame is all steel**
- 3. Designed with a wide base and extra large pads with your safety and comfort in mind.**

Product Instruction

- 1. The XYSFITNESS Glute Hamstring Developer is best to develop strong Glutes, Low Back, Ham String and Abs.**
- 2. The XYSFITNESS GHD can quick adjustments accommodates all users and the traction enhanced Foot Plate allows for secure positioning during use.**
- 3. The XYSFITNESS GHD has been a fantastic addition to our home or gym .**

Packaging & Delivery

Packaging Details :

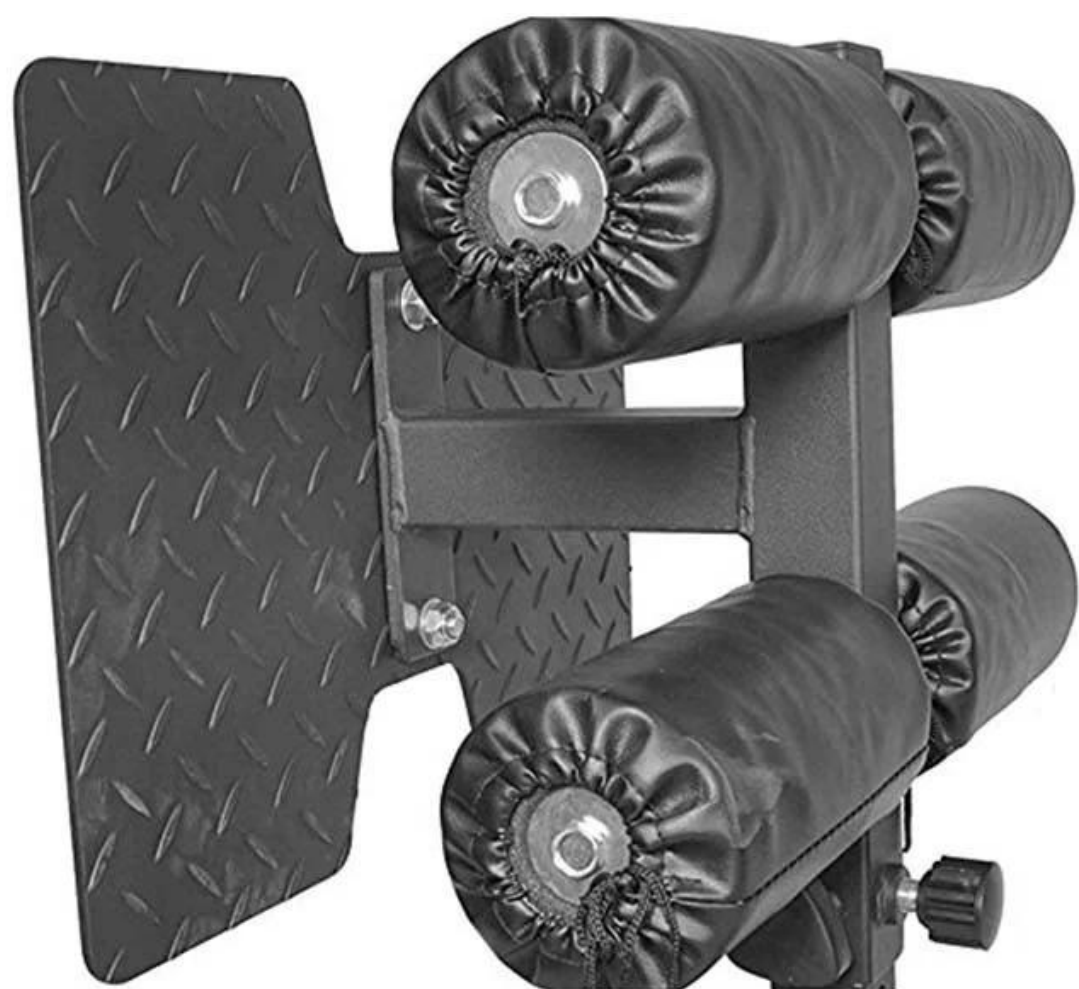
- 1. First some components into a plastic bag .**
- 2. Then into a carton while use foam board to fix the space between the component and the carton .**
- 3. At last several cartons into a wood box .**

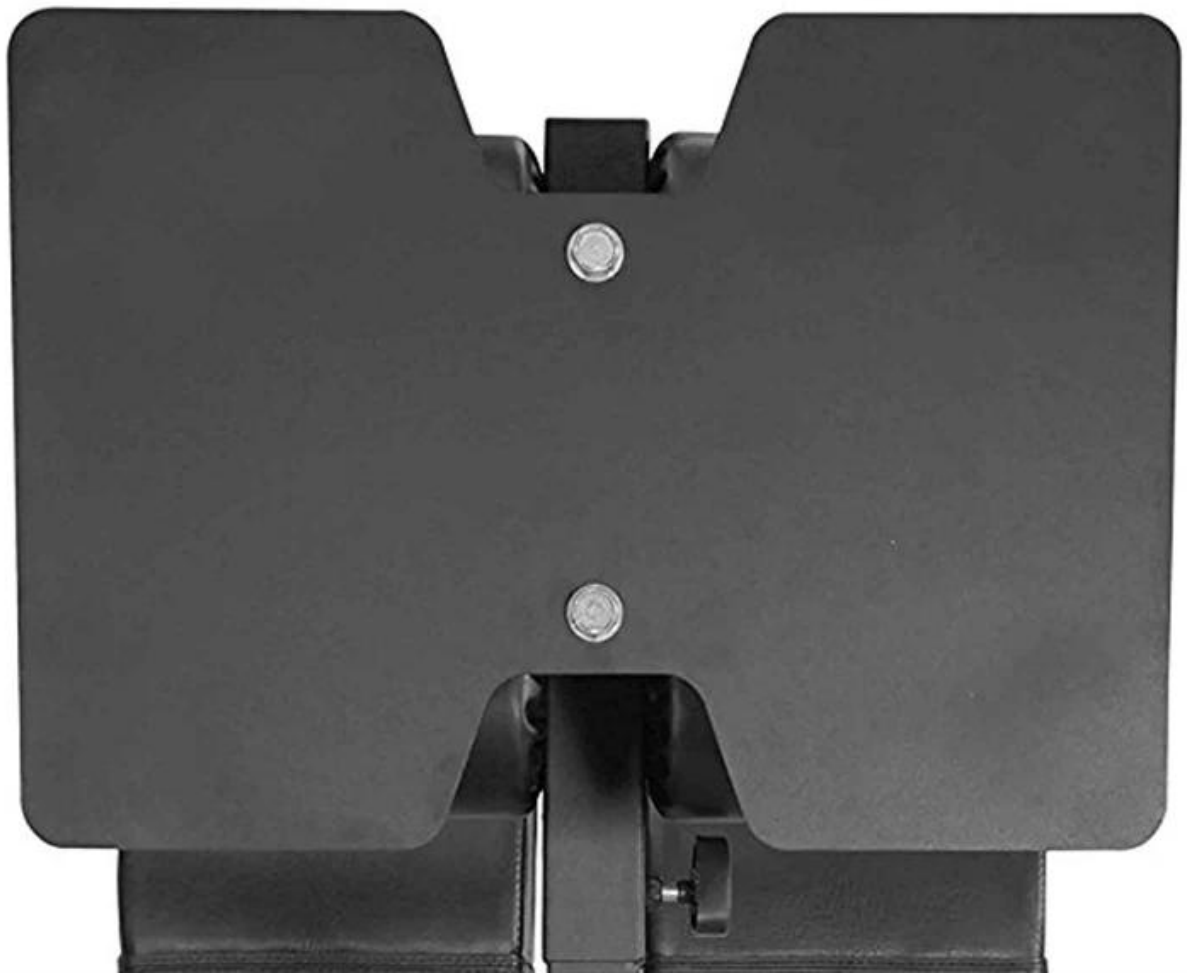
Delivery Detail :

Within 27 days after payment

Product Pictures









Company Information

SHANDONG XINGYA SPORT FITNESS INC is a professional exercise equipment enterprise for development , production and sales of dumbbell , barbells , kettlebell , mats , racks , CF and other rubber coated and dipping products .

Upon the advanced production equipments and strict quality control system , with nice quality products and high quality , now we have established a solid business relationship with hundreds of customers all over the worlds , including North America , Europe , the Middle East and Asia . " Creating value for all customers with innovation and quality " is our changeless promise .

We sincerely hope to build a nice and long cooperation with you in the future .



Office block



Office room



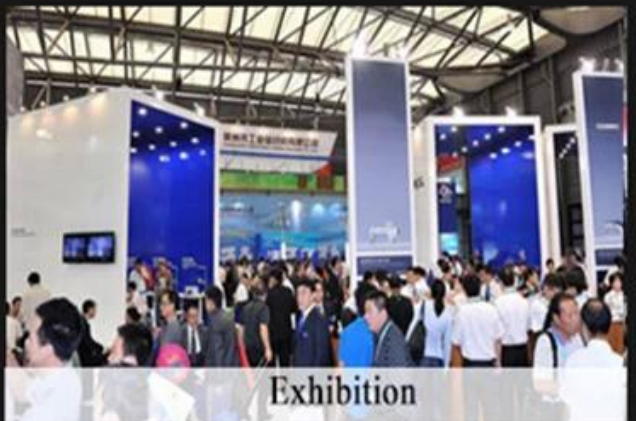
Workshop



fitness club



Warehouse



Exhibition

Our Warehouse



Exhibition picture



Picture with customers



Our Service

- 1. Shipment and sample quality tracking includes lifetime .**
- 2. Any small problem happening to our product will be solved**

at the prompt time .

3. All your inquiry replied within 24 hours .

4. Strictly produce control system and closely cooperate with strong gym equipment factories

5. OEM / ODM orders are welcome .

6. High quality service with whole modern team , adding many years export experience .



FAQ

Q1 : Can I negotiate the prices ?

A1 : Yes , we may launch some promotion that more discount would be granted sometimes . We may grant discount tor FCL of mixed products or bulk orders of individual products .

Q2 : What is the minimum order quantity ?

A2 : We can accept small orders , prices will be higher , though .

Q3 : How long do you take for production and delivery ?

A3 : Please comfirm the order quantity , delivery time when you are ready to place an order .

Normally we need 3-4 working days to produce after receive your deposit and all order details are confirmed for regular designs and models .

Transportation by sea or air , Customs Clearance and inland transportation will need , another 20-30 days . So please place orders in advance to make sure you have products to sell on busy season .

Q4 : If we don't have any shipping forwarder in China , could you do this for us ?

A4 : We have shipping department , you will get the best shipping price , and have excellent service .

Q5 : I never come to China before , can you become my guide

in China ?

A5 : We will book the hotel for you in advance , and arrange our driver to pick you up from ariport to our company , if you want to visit the market or factory , we can arrange our colleague to be your assistant .

Contact us

LETS WORK TOGETHER

.....
.....

Alice Liu

Phone : +86 18769566307

Whatsapp : +86 18769566307

Facebook : Alice Emma

Skype : +86 18769566307