

Product Specification:

Perfect dimension of this dual purpose bar provides comfort during your workout, and fits well in your palm. Extended lower rear cross bar provides extra space for fitting in benches and footrest for seated row exercises. This dual purpose bar has a diamond knurl-textured grip for a non-slip and comfortable grip.

Brand Name	XYSFITNESS
Country of Origin	China
Color	Black
Material	Alloy Steel
Manufacturer	SHANDONG XINGYA SPORTS FITNESS INC
Capacity	100 - 200 kg

Product show

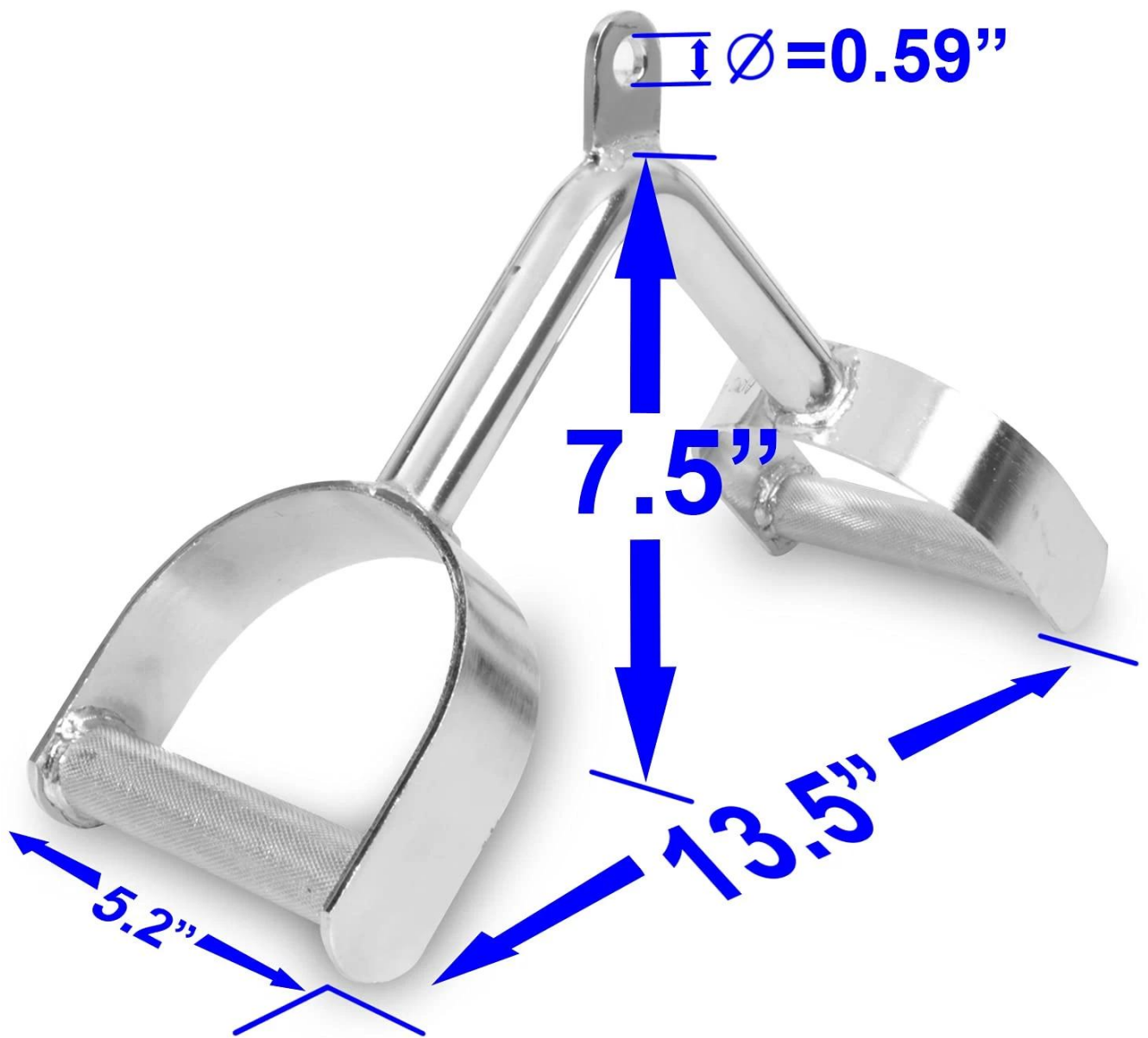


Universal cable attachment



**High-quality steel
with chrome finish**

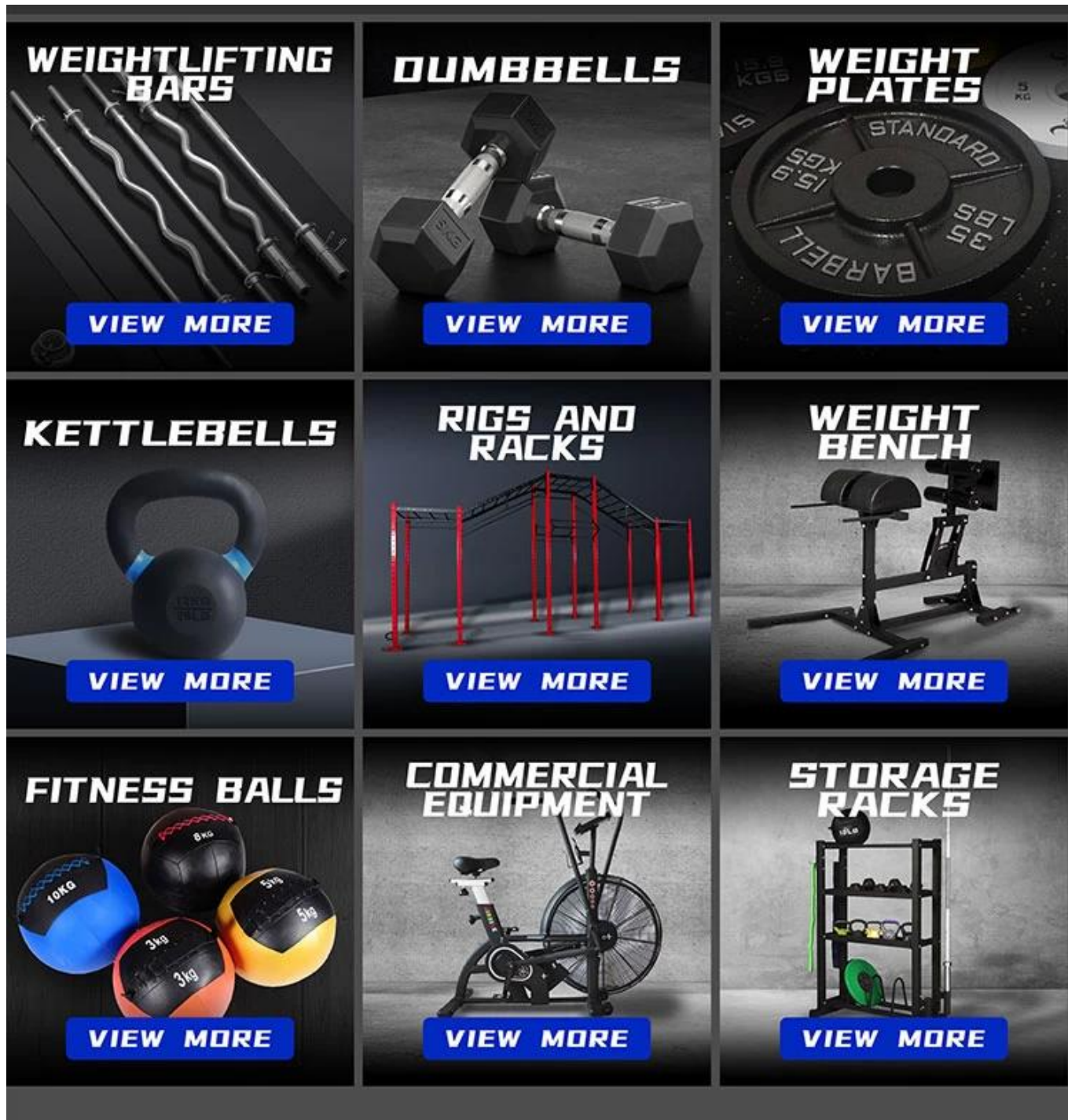
Knurled hand grips



Package:



Related Products



About Xingya

Shandong Xingya Sports Fitness Inc. is a professional exercise equipment enterprise for development, ([body solid power rack j hooks supplier](#)) production and sales of rigs,,racks,kettlebells,weight plates and cardio equipment. We have more than 12 years' experience in exporting and 20 years' in producing fitness machines.

Upon the advanced production equipment and strict quality control system,we supply customers nice quality products.

Our company always attend different kinds of fairs. We have the Canton Fair booth every year which is offered by our government.We always go to Australia, Germany, New Zealand,America and Brazil for fitness equipment fairs.

Now we have established a solid business relationship with hundreds of customers all over the words, including North America, Europe, the Middle East and Asia.

"Creating value for all customers with innovation and quality"is our changeless promise.We sincerely hope to cooperate with you to develop together in the future.

Factory Show



YOUR RELIABLE SUPPLIER



PROFESSIONAL
FITNESS



EQUIPMENT
FACTORY



OEM/ODM



MORE THAN
12 YEARS



INTERNATIONAL



TRADE
EXPERIENCE

Exhibition & Fair

EXHIBITION



Logistics:

Sample order ship by DHL, UPS, FedEx, TNT, EMS etc

For mass order delivery, can be optional with terms of Exwork, FOB, CNF, CIF by air or by sea based on the buyer's forwarder or ours

PACKAGING & SHIPPING



Our general package is plastic bag, carton, then pallet
We can also make customised package

FAQ:

Q:Do you have MOQ for product,or amount?

A:It's better for reach \$3000,so that we can send to you by sea.

Q:How about the delivery time if I order?

A:The production time depends on order details,generally one container goods can be ready within 20 days.

Q:What's your payment term?

A:Generally 30% deposit and 70% balance.T/T,L/C,Alibaba trade assurance all OK.

Q:I don't have shipping forwarder in China,how can I order?

A:We have good relationship with shipping company,we can offer you most competitive shipping charge and best service