

Name	20KG Youth Weight Lifting Equipment Barbell Bar
Material Used	silicon-manganese spring steel/ordinary spring steel
HK Needle Roller Bearings	0
6004 Ball Bearings	4
Pattern Number	6Section Flower 185/45/195/195/185/185 (machine tool knurling) Features: Smooth, Non-Bruising, Suitable For Training
Pattern Depth	0.25-0.35mm
Copper Bushing With Card Slot (patented)	2
Tail Structure	concavo-convex buckle type
Thickness Of Paper Tube Package	6mm

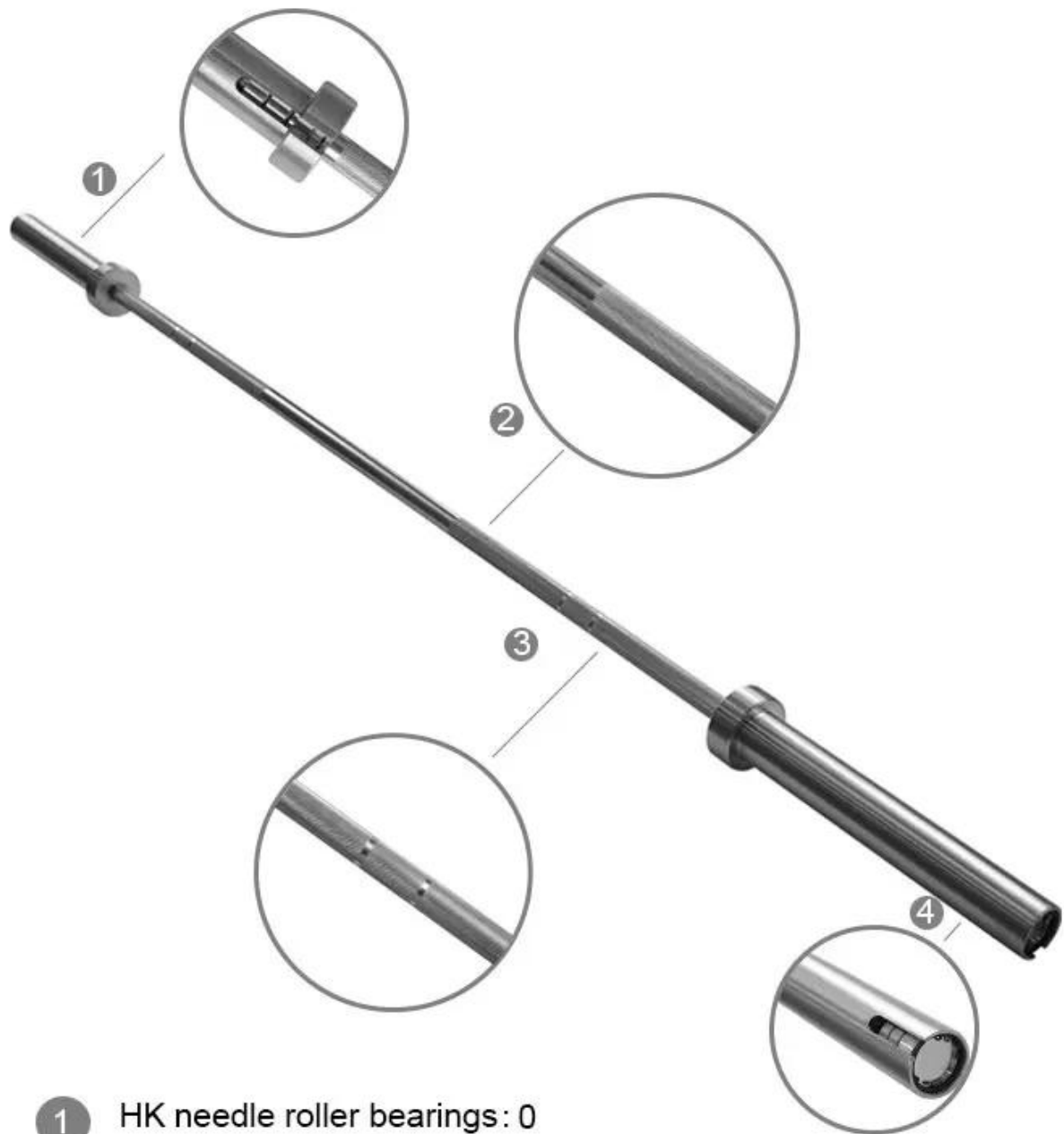
Product Parameters

Product Information

Name	men's training bar
Material	ordinary spring steel silicon-manganese spring steel
Surface Treatment	all white zinc
Tensile Strength	190-200KPSI
Maximum load	1500LB



Product Details



- 1 HK needle roller bearings : 0
6004 ball bearings : 4
- 2 Rod straightness 0.2-0.4mm
- 3 Pattern depth 0.25-0.35mm
- 4 Concavo-convex buckle type

Packaging Details

- 1: First each weight bar into a plastic bag.
- 2: Then into a carton while use foam board to fix the space between the bar and the carton.
- 3: At last several cartons into a wood box.

