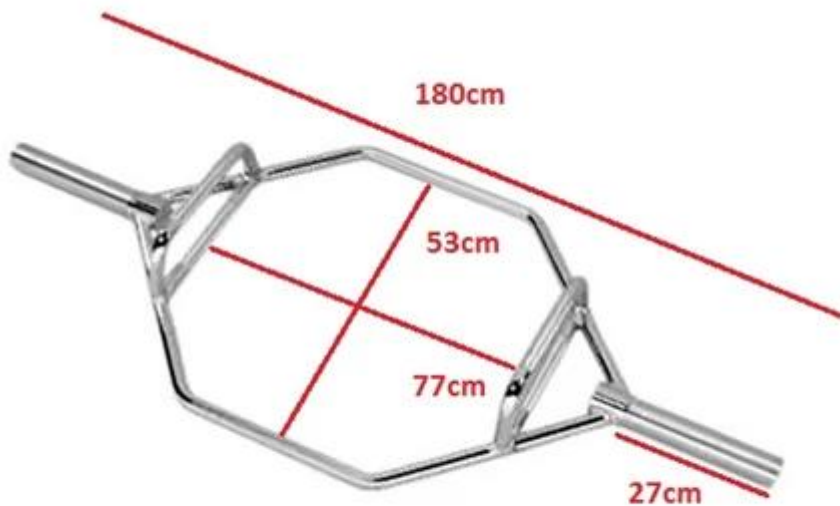


## Product details:

Hex bar length	1800mm
Bar construction	Steel bar and sleeves
Max load	700lb
Handle diameter	28mm
Grip	Medium knurling
Finish	Electroplated hard chrome bar

## Olympic hex bar features:

- 1.Sleeve diameter:50mm, Length:10"
- 2.Two handle options for various kinds exercisers.
- 3.Adjustable weight with olympic rubber plates.
- 4.Uses:Garage gyms,commercial gyms,school gym rooms



## Company Information:

Shandong xingya sports fitness Inc is a professional exercise fitness equipment company, our company engaged in dumbbell,kettle bell,weight bumper plates, CF rigs and racks,rubber flooring and other accessories. With advanced equipment and strict quality control system, we have established a solid business relations with many customers all over the world, such as Europe, America, the Middle East, South Asia and other nations.we advocate" credit and quality the first with reasonable price".

## Service:

- 1, OEM or ODM service are welcome.
- 2, Many years export experience.
- 3, Strict product quality control.
- 4, Small quantity order acceptable.

5, High quality service with modern team.

## **FAQ**

1)Q:Can I negotiate the price?

A:Yes,we'll quote you the best price.

2)Q:What's the minimum quantity?

A:We can accept small orders.

3)Q:Do you supply related fitness products?

A:Yes, we have men bar,women bar,CF racks etc.