

Product Description

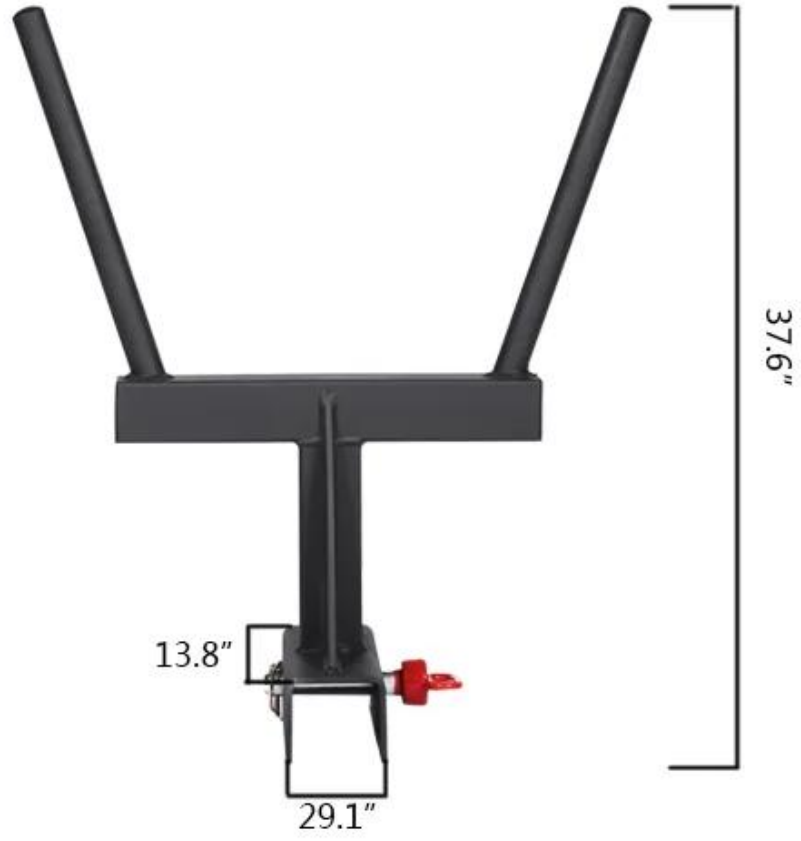
R
a
c
k
s
w
i
t
h
d
u
r
a
b
l
e
m
o
n
s
t
e
r
d
i
p
p
b
a
r
s

/
C
F
a
c
c
e
s
s
o
r
y
d
i
p
b
a
r

r
i
g
s
m
a
n
d
u
c
t
u
r
e
r
R
e
g
u
l
a
t
i
o
n
s
a
n
d
c
o
n
t
r
o
l
l
i
n
g
a
n
d
p
r
o
t
e
c
t
i
o
n
s

L
/
C
T
P
ā
g
m
ē
n
t
h
e
r
s

Products Show





Our Service

1. Shipment and sample quality tracking includes lifetime .
2. Any small problem happening to our product will be solved at the prompt time .
3. All your inquiry replied within 24 hours .
4. Strictly produce control system and closely cooperate with strong gym equipment factories
5. OEM / ODM orders are welcome .
6. High quality service with whole modern team , adding many years export experience .

Our Company

SHANDONG XINGYA SPORT FITNESS INC is a professional exercise equipment enterprise for development , production and sales of dumbbell , barbells , kettlebell , mats , racks and other rubber coated and dipping products .

Upon the advanced production equipments and strict quality control system , with nice quality products and high quality , now we have established a solid business relationship with hundreds of customers all over the worlds , including North America , Europe , the Middle East and Asia . " Creating value for all customers with innovation and quality " is our changeless promise .

We sincerely hope to build a nice and long cooperation with you in the future .



Office block



Office room



Workshop



fitness club



Warehouse



Exhibition

FAQ

Q1 : Can I negotiate the prices ?

A1 : Yes , we may launch some promotion that more discount would be granted sometimes .
We may grant discount for FCL of mixed products or bulk orders of individual products .

Q2 : What is the minimum order quantity ?

A2 : We can accept small orders , prices will be higher , though .

Q3 : How long do you take for production and delivery ?

A3 : Please confirm the order quantity , delivery time when you are ready to place an order .
Normally we need 3-4 working days to produce after receive your deposit and all order details are confirmed for regular designs and models .
Transportation by sea or air , Customs Clearance and inland transportation will need , another 20-30 days .
So please place orders in advance to make sure you have products to sell on busy season .

Q4 : If we don't have any shipping forwarder in China , could you do this for us ?

A4 : We have shipping department , you will get the best shipping price , and have excellent service

.

Q5 : I never come to China before , can you become my guide in China ?

A5 : We will book the hotel for you in advance , and arrange our driver to pick you up from ariport to our company ,

if you want to visit the market or factory , we can arrange our colleague to be your assistant .